



A11



A11 - plus



# APU<sup>®</sup>

PLASTER JOINT PROFILES FOR INTERIOR AND EXTERIOR PLASTERING

## Window reveal bead

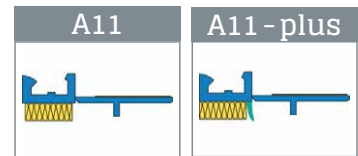
# MINI

9 mm



The **APU window reveal bead MINI** is used with indoor and outdoor plaster systems as specified by the latest APU selection criteria. Within the reveal the profile is stuck flush to the structural element there and thus forms a clean and reliable termination of the plaster.

The 9 mm wide profile comes with a self-adhesive PE foam tape, which ensures a water-tight, lasting seal. The profile is available in two versions: without protective lip (A11) and with protective lip (A11 - plus). There is a piece of self-adhesive tape on protective flap in order to secure the third-party protective film. This protects the window during the plastering work. After completion of these tasks, the protective flap is pulled off and what is created is a clean edge to the plaster.



## Design

	ITEM NO.	LENGTH	PACKAGING UNIT	WEIGHT (per PU)
--	----------	--------	----------------	-----------------

### Window reveal bead MINI

9 mm

#### A11

■ Window reveal bead MINI	A11-2400	2.4 m	20 bars = 48 m	3.2 kg
---------------------------	----------	-------	----------------	--------

#### A11-plus

■ Window reveal bead MINI-plus with protective lip	A11-25PLUS	2.5 m	20 bars = 50 m	3.6 kg
--	------------	-------	----------------	--------

## Features

	WINDOW REVEAL BEAD MINI	- PLUS
Material	<ul style="list-style-type: none"> <li>■ Rigid PVC manufactured under DIN-16941</li> </ul>	<ul style="list-style-type: none"> <li>■ Rigid PVC manufactured under DIN-16941</li> <li>■ TPE manufactured under DIN-16941</li> </ul>
Protective flap	<ul style="list-style-type: none"> <li>■ Detachable with soft TPE connection and double-sided adhesive tape</li> </ul>	
Features		<ul style="list-style-type: none"> <li>■ TPE protective lip</li> </ul>
Seal	<ul style="list-style-type: none"> <li>■ PE foam tape 8x3 mm</li> </ul>	
Inspections	<ul style="list-style-type: none"> <li>■ Component testing acc. to DIN 4108</li> <li>■ Material testing according to MO-01</li> </ul>	

## Important information

Storage	Always store profiles laid down in a dry place.
Test of adhesion	Perform adhesion test. ▶ See general tips – APU test of adhesion
Other applications	Any applications not clearly described in the documents may be implemented only after consultation with the plaster or ETICS manufacturer.

For information on materials, areas of use, tests and correct application, please refer to our 'General Advice and Information'



A11

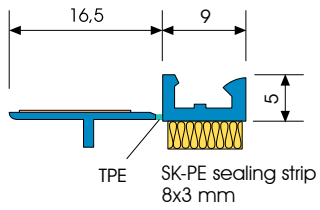


A11-plus

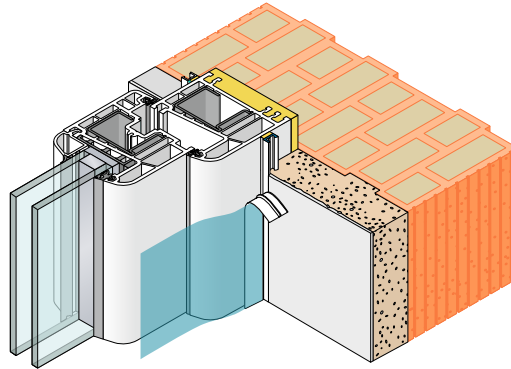


## Details

A11

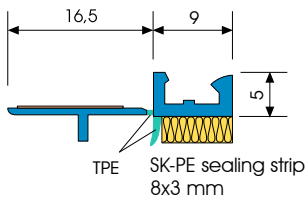


Sectional drawing in mm

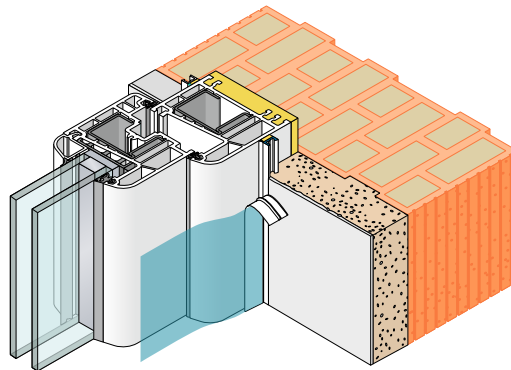


Application drawing

A11-plus



Sectional drawing in mm



Application drawing