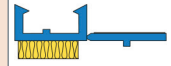




A13



APU®

PLASTER JOINT PROFILES FOR INTERIOR AND EXTERIOR PLASTERING

Window reveal bead

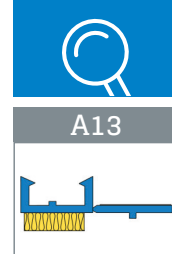
MIDI

12 mm



The **APU window reveal bead MIDI** is used with indoor and outdoor plaster systems as specified by the latest APU selection criteria. Within the reveal the profile is stuck flush to the structural element there and thus forms a clean and reliable termination of the plaster.

The 12 mm wide profile comes with a self-adhesive PE foam tape, which ensures a watertight, lasting seal. There is a piece of self-adhesive tape on protective flap in order to secure the third-party protective film. This protects the window during the plastering work. After completion of these tasks, the protective flap is pulled off and what is created is a clean edge to the plaster.



Design

	ITEM NO.	LENGTH	PACKAGING UNIT	WEIGHT (per PU)
--	----------	--------	----------------	-----------------

Window reveal bead MIDI

A13	A13-2400	2.4 m	30 bars = 72 m	5.3 kg
-----	----------	-------	----------------	--------

Features

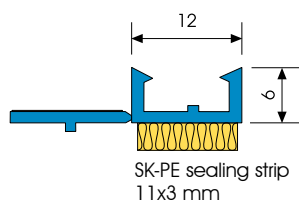
	WINDOW REVEAL BEAD MIDI
Material	■ Rigid PVC manufactured under DIN-16941
Protective flap	■ Detachable with double-sided adhesive tape
Seal	■ PE foam tape 11 x 3 mm

Important information

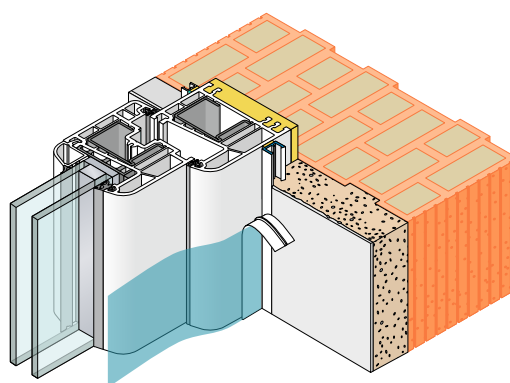
Storage	Always store profiles laid down in a dry place.
Test of adhesion	Perform adhesion test. ▶ See general tips – APU test of adhesion
Other applications	Any applications not clearly described in the documents may be implemented only after consultation with the plaster or ETICS manufacturer.

For information on materials, areas of use, tests and correct application, please refer to our 'General Advice and Information'

Details



Sectional drawing in mm



Application drawing