



A22



APU[®]

PLASTER JOINT PROFILES FOR INTERIOR AND EXTERIOR PLASTERING

Corner bead

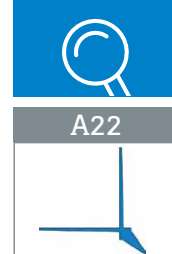
DUO

For thick-level plasters



The **APU corner bead DUO** is used in interior and exterior plaster systems for forming a flush, exact plaster edge.

The profile has a reinforced edge in the corner area. The plaster bars have holes and are suited to a thick-layer system.



Design

	ITEM NO.	LENGTH	PACKAGING UNIT	WEIGHT (per PU)
--	----------	--------	----------------	-----------------

Corner bead DUO

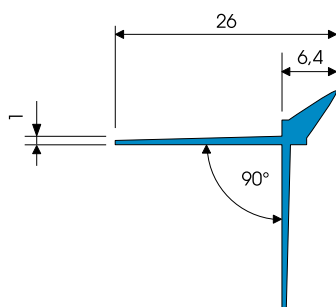
A22:

Drilled for thick-level plasters **A22-2000** 2.0 m 50 bars = 100 m 6.1 kg

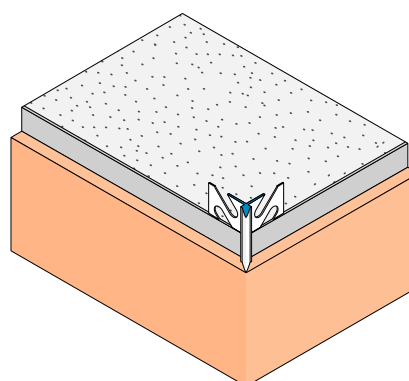
Features

	CORNER BEAD
Material	■ Rigid PVC manufactured under DIN-16941

Details



Sectional drawing in mm



Application drawing