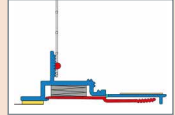




A 38 - pro

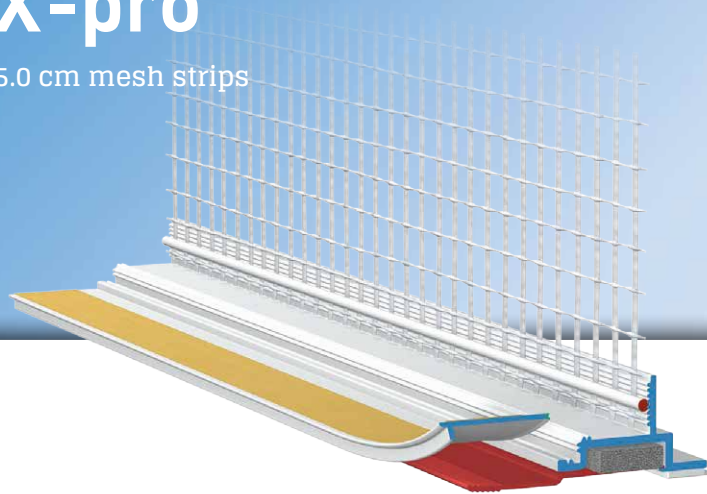
**APU**[®]

PLASTER JOINT PROFILES FOR INTERIOR AND EXTERIOR PLASTERING

Window reveal bead

PUR-FIX-pro

With shadow gap and 5.0 cm mesh strips



The **APU window reveal beadPUR-FIX-pro** is used with indoor and outdoor plaster systems as specified by the latest APU selection criteria. Within the reveal the profile is fixed flush to the structural element there and after completion of the plastering work forms a clean and reliable termination of the plaster with a shadow gap.

The profile comes with an expanding PUR sealing strip, which ensures a watertight, lasting seal without any sticking directly to the structural element. The PUR sealing strip is impacted lengthways and has an overhang for sealing the joint. The PUR sealing strip is able to absorb relatively large movements in the area around the joint. There is a fabric window reveal bead welded onto the profile. It provides added reliability for the interlocking within the plaster. There is a piece of self-adhesive tape on protective flap in order to secure the third-party protective film. This protects the window during the plastering work. After completion of the work the protective flap and the red activation tab are removed and what is created is a clean plaster edge. The profile is thus suitable for all standard windows and doors and can be universally used.



Design

	ITEM NO.	LENGTH	PACKAGING UNIT	WEIGHT (per PU)
--	----------	--------	----------------	-----------------

Window reveal bead PUR-FIX-PRO

A38 - pro				
With shadow gap and 5.0 cm mesh strips	A38-24PRO	2.4 m	25 bars = 60 m	10.3 kg

Features

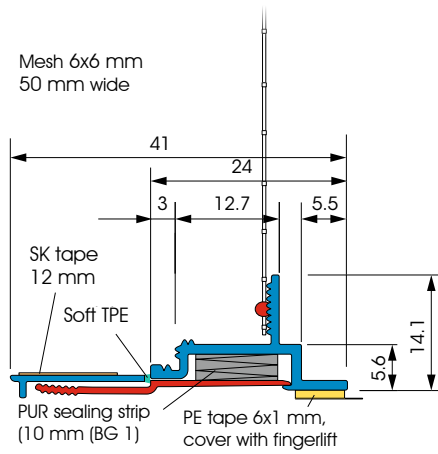
	WINDOW REVEAL BEAD PUR-FIX-PRO
Material	<ul style="list-style-type: none"> ■ Rigid PVC manufactured under DIN-16941
Protective flap	<ul style="list-style-type: none"> ■ Detachable with soft TPE connection and double-sided adhesive tape
Fixation	<ul style="list-style-type: none"> ■ PE foam tape 6 x 1 mm
Seal	<ul style="list-style-type: none"> ■ PUR sealing strip, 10 mm, type BG1 ■ Watertight for joints of 3-9mm
Mesh	<ul style="list-style-type: none"> ■ Min. 160g/m² approved for compound heat insulation systems ■ 5 cm wide – MW 6 x 6 mm ■ Ultrasonic welded

Important information

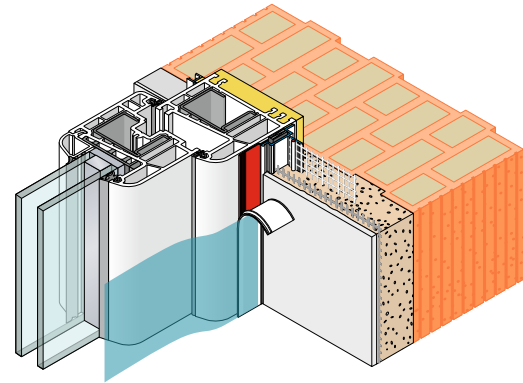
Storage	Always store profiles laid down in a dry place.
Test of adhesion	No test of adhesion required.
Other applications	Any applications not clearly described in the documents may be implemented only after consultation with the plaster or ETICS manufacturer.
Movement	Dependent on the elasticity and size of the PUR sealing strip, movements can be absorbed.

For information on materials, areas of use, tests and correct application, please refer to our 'General Advice and Information'

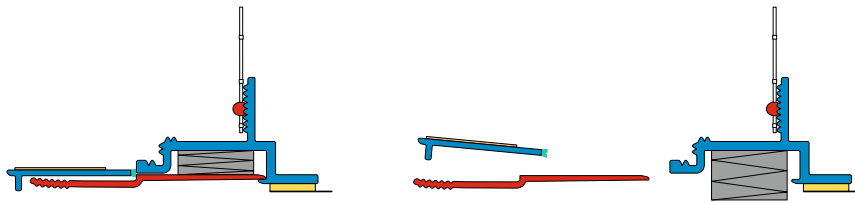
Details



Sectional drawing in mm



Application drawing



Function