



V84



APU®

PROFILES FOR COMPOUND HEAT INSULATION SYSTEMS

Clip-on profile VHF-VENTI-TEX

12 mm,
for back-ventilated rainscreens



For back-ventilated rainscreens the **APU clip-on profile VHF-VENTI-TEX** is installed onto the edge of the supporting board in the area of the roof connection or in the base area.

The profile has a plaster bar. For improved hold, it is pre-tensioned. Welded onto the bar is a fabric strip. The rear bar with support space facilitates the use of ventilation grilles in order, for example, to protect back-ventilated rainscreens from insects and small creatures. Dependent on gap, this profile can be flexibly inserted into the support space. What is created after completion of the plastering work is a clean plaster edge.



V84



Design

	ITEM NO.	LENGTH	PACKAGING UNIT	WEIGHT (per PU)
--	----------	--------	----------------	-----------------

Clip-on profile VHF-VENTI-TEX 12 mm

V84 With 12.5 cm mesh	V84-2012	2.0 m	25 bars = 50 m	8.5 kg
--------------------------	----------	-------	----------------	--------

Features

CLIP-ON PROFILE VHF-VENTI-TEX	
Material	<ul style="list-style-type: none"> ■ Rigid PVC manufactured under DIN-16941 ■ TPE manufactured under DIN-16941
Mesh	<ul style="list-style-type: none"> ■ Min. 160 g/m² approved for compound heat insulation systems ■ 12.5 cm wide – MW 4x4 mm ■ Ultrasonic welded

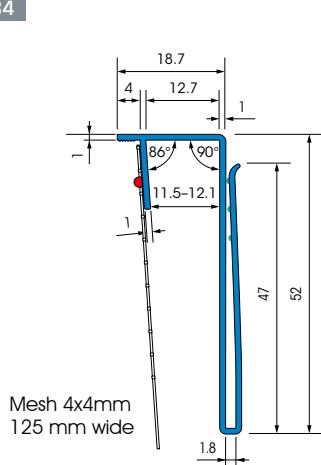
Important information

Storage	Always store profiles laid down in a dry place.
Other applications	Any applications not clearly described in the documents may be implemented only after consultation with the plaster or ETICS manufacturer.

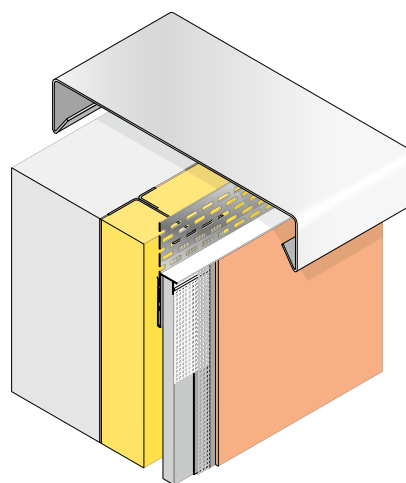
For information on materials, areas of use, tests and correct application, please refer to our 'General Advice and Information'

Details

V84



Sectional drawing in mm



Application drawing

