



V86

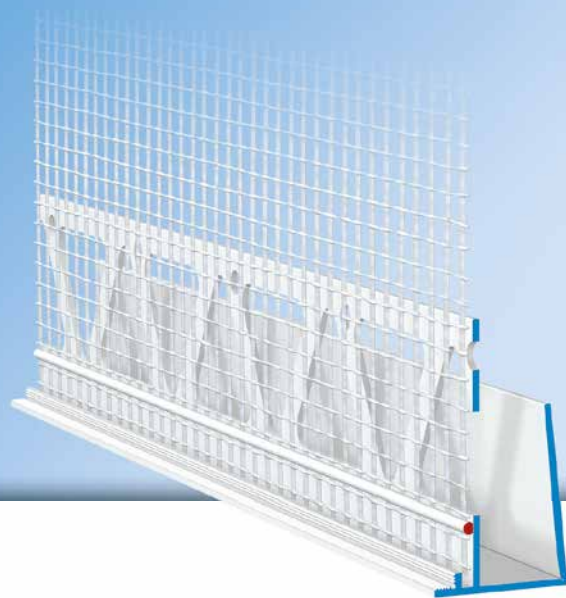


APU®

PROFILES FOR COMPOUND HEAT INSULATION SYSTEMS

Clip-on profile VHF-FIN-TEX

12 mm,
for 7 mm plaster edge



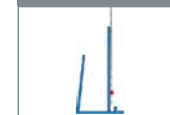
For back-ventilated rainscreens the **APU clip-on profile VHF-FIN-TEX** is used as a termination onto the edge of the supporting board.

The profile has a punched plaster bar. Welded onto the bar is a fabric strip. Each bar has a fabric overhang on one side of 10cm in the lengthways direction. For improved hold, the rear limb is pre-tensioned.

What is created after completion of the plastering work is a clean termination of the plaster.



V86



Design

	ITEM NO.	LENGTH	PACKAGING UNIT	WEIGHT (per PU)
--	----------	--------	----------------	-----------------

Clip-on profile VHF-FIN-TEX 12 mm

V86 With 12.5 cm mesh	V86-2012	2.0 m	25 bars = 50 m	6.9 kg
--------------------------	----------	-------	----------------	--------

Features

	CLIP-ON PROFILE VHF-FIN-TEX
Material	<ul style="list-style-type: none"> ■ Rigid PVC manufactured under DIN-16941
Mesh	<ul style="list-style-type: none"> ■ Min. 160 g/m² approved for compound heat insulation systems ■ 12.5 cm wide – MW 4 x 4 mm ■ Ultrasonic welded

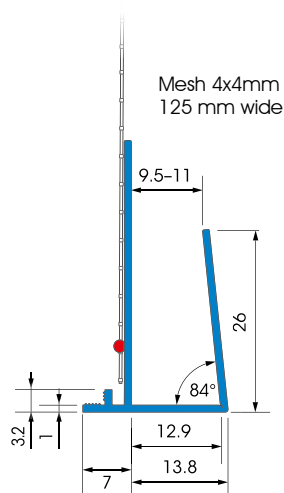
Important information

Storage	Always store profiles laid down in a dry place.
Other applications	Any applications not clearly described in the documents may be implemented only after consultation with the plaster or ETICS manufacturer.

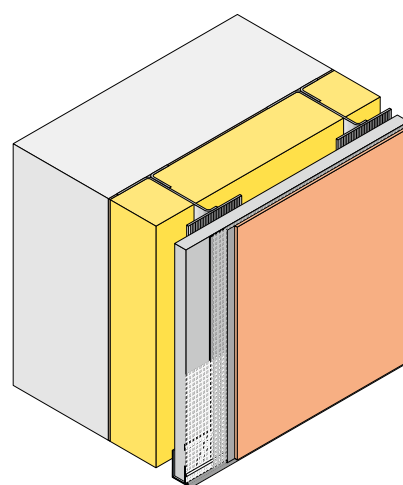
For information on materials, areas of use, tests and correct application, please refer to our 'General Advice and Information'

Details

V86



Sectional drawing in mm



Application drawing