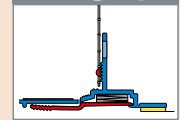




W37-light-pro



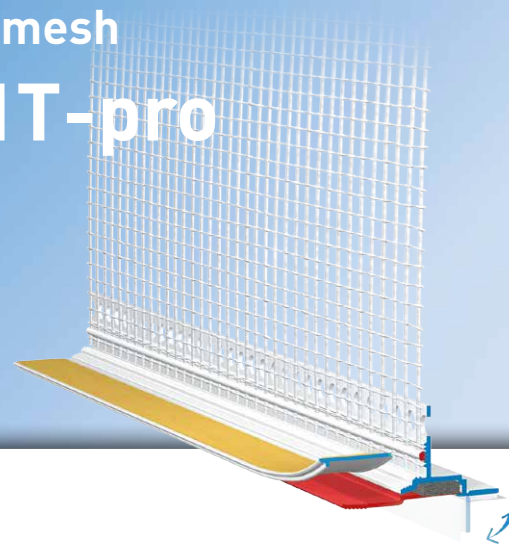
APU®

PROFILES FOR COMPOUND HEAT INSULATION SYSTEMS

Window reveal bead with mesh

PUR-FIX-LIGHT-pro

Suitable for all standard windows and doors.

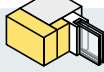
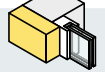



The **APU window reveal bead with mesh PUR-FIX-LIGHT-pro** is used in compound heat insulation systems as specified in the latest APU area of application. The profile is put in place shortly before the insulation of the reveal, is fixed flush to the structural element and after completion of the plastering work provides a clean and reliable termination of the plaster with a shadow gap.

The profile comes with an expanding PUR sealing strip, which ensures a watertight, lasting seal without any sticking directly to the structural element. The PUR sealing strip is impacted lengthways in the profile and has an overhang for sealing the joint. The PUR sealing strip is able to absorb relatively large movements in the area around the joint. There is a fabric window reveal bead welded onto the profile. Each bar has a fabric overhang on one side of 10cm in the lengthways direction. There is a piece of self-adhesive tape on protective flap in order to secure the third-party protective film. This protects the window during the plastering work. After completion of the work the protective flap and the red activation tab are removed and what is created is a clean plaster edge. The profile is thus suitable for all standard windows and doors and can be universally used.



Area of application

WINDOW POSITION (requires reveal that can be plastered over)	 WITHIN MASONRY	 FLUSH WITH MASONRY	 IN FRONT OF MASONRY
Sub-surface	Without adhesive connection – suitable for all standard doors and windows ✔ No test of adhesion required		
Insulating material thickness	up to 400 mm		
Window size	up to 15 m ²		
W37 PUR-FIX	■	■	■

Inspections against driving rain up to 600 Pa under DIN EN 1027

Design

	ITEM NO.	LENGTH	PACKAGING UNIT	WEIGHT (per PU)
--	----------	--------	----------------	-----------------

PUR-FIX-LIGHT-pro window reveal bead with mesh

W37-light-pro

With 12.5 cm mesh

W37-24LIGHT-PRO 2,4 m 25 bars = 60 m 12.5 kg

Features

	PUR-FIX-LIGHT-PRO WINDOW REVEAL BEAD WITH MESH
Material	<ul style="list-style-type: none"> ■ Rigid PVC manufactured under DIN-16941
Protective flap	<ul style="list-style-type: none"> ■ Detachable with soft TPE connection and double-sided adhesive tape
Fixation	<ul style="list-style-type: none"> ■ PE foam tape 6 x 1 mm ■ alternatively Z21 plastic nails
Seal	<ul style="list-style-type: none"> ■ PUR sealing strip, 7,5 mm ■ Watertight for joints of 2 – 8 mm
Mesh	<ul style="list-style-type: none"> ■ Min. 160 g/m² approved for compound heat insulation systems ■ MW 4 x 4 mm ■ Ultrasonic welded
Optional accessories	<ul style="list-style-type: none"> ■ Z21-0000 plastic nails
Inspections	Weather resistance against driving rain up to 600 Pa under DIN EN 1027

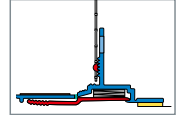
Important information

Storage	Always store profiles laid down in a dry place.
Test of adhesion	No test of adhesion required.
Other applications	Any applications not clearly described in the documents may be implemented only after consultation with the plaster or ETICS manufacturer.

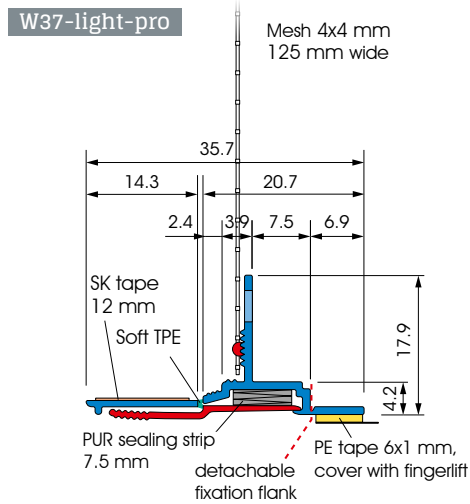
For information on materials, areas of use, tests and correct application, please refer to our 'General Advice and Information'



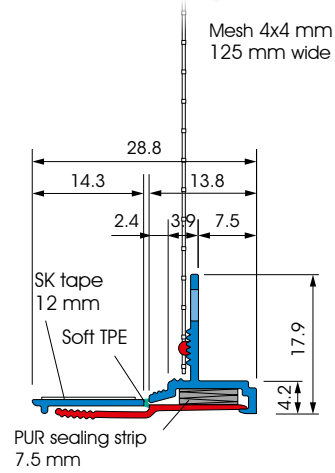
W37-light-pro



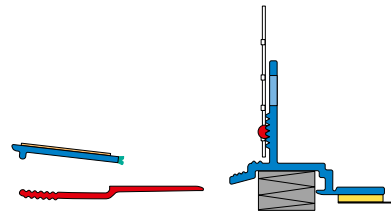
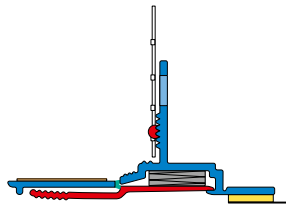
Details



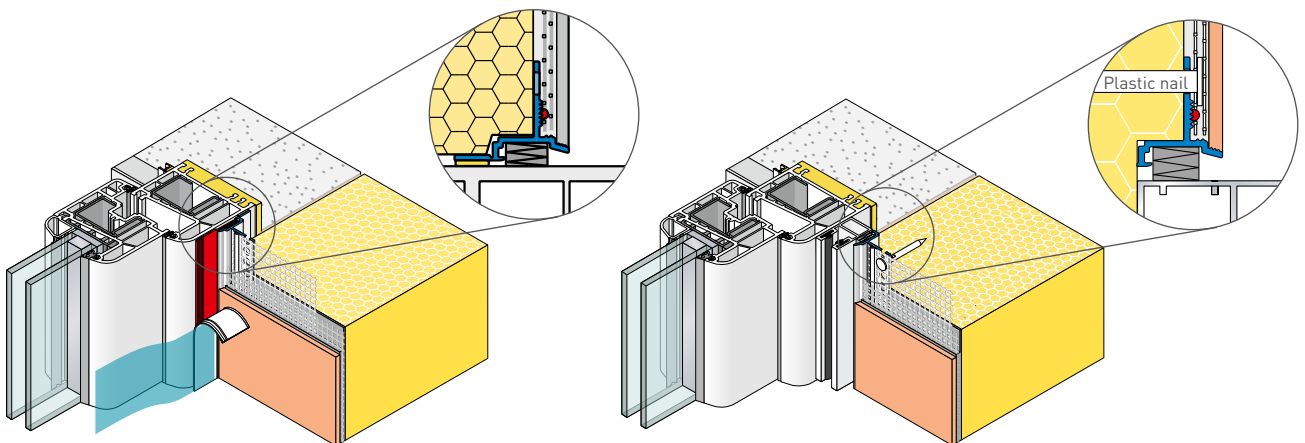
Sectional drawing with fixation flange in mm



Sectional drawing without fixation flange in mm



Function



Application drawing