



W58



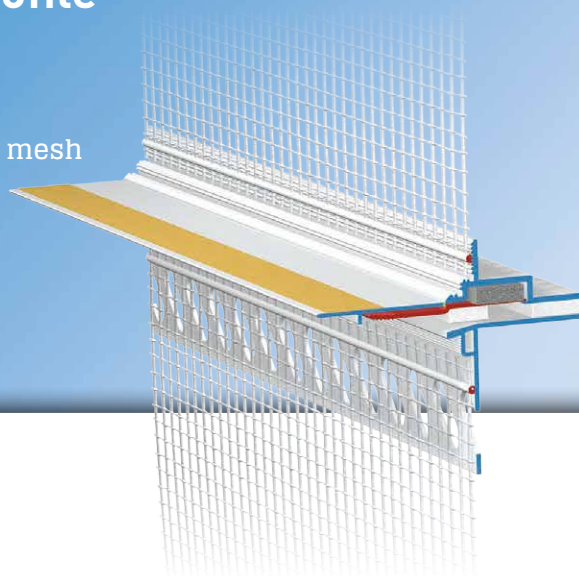
APU®

PROFILES FOR COMPOUND HEAT INSULATION SYSTEMS

Slide bearing profile

PUR-FIX

With PUR tape and 12.5 cm mesh



The **APU slide bearing profile PUR-FIX** is used in compound heat insulation systems at building joints with different building materials (e.g., where extra floors are added to buildings made of wood or solid structures).

Thanks to the non-linked solution, movements (pressure up to 4 mm and shear up to 2 mm) can be absorbed.

The profile is made up of 2 plastic profiles, to each of which a strip of mesh is welded. Each bar has a fabric overhang on one side of 10cm in the lengthways direction. The profile comes with pre-compressed PUR sealing strip, which is triggered by removing the red activation tab. It can, as a result, absorb movements and creates a watertight seal. The PUR sealing strip is impacted lengthways in the profile and has an overhang for sealing the joint. The profiles can be connected in flush alignment using the plug connectors (Z14) and brackets (Z58-V) provided. The pre-fabricated corner pieces (Z58-A for outer corners and Z58-I for inner corners) should be used for forming corners. These must be ordered separately. What is created after completion of the plastering work is a clean termination of the plaster.



Design

	ITEM NO.	LENGTH	PACKAGING UNIT	WEIGHT (per PU)
--	----------	--------	----------------	-----------------

PUR-FIX slide bearing profile

W58	W58-2000	2.0 m	5 bars = 10 m	4.7 kg
-----	----------	-------	---------------	--------

Features

	PUR-FIX SLIDE BEARING PROFILE
Material	<ul style="list-style-type: none"> ■ Rigid PVC manufactured under DIN-16941
Protective flap	<ul style="list-style-type: none"> ■ Detachable with soft TPE connection and double-sided adhesive tape
Features	<ul style="list-style-type: none"> ■ PE foam tape 10x3 mm ■ PE foam tape 8x3 mm
Seal	<ul style="list-style-type: none"> ■ PUR sealing strip, 10 mm, type BG1 ■ Watertight for joints of 3-9mm
Mesh	<ul style="list-style-type: none"> ■ Min. 160 g/m² approved for compound heat insulation systems ■ 2 x 12.5 cm wide – MW 4 x 4 mm ■ Ultrasonic welded
Accessories	<ul style="list-style-type: none"> ■ Z14-0000 Plug connectors (1 bag) ■ Z58-V-0000 Bracket (1 bag)
Optional accessories	<ul style="list-style-type: none"> ■ Z58-A-2020 Slide bearing profile outer corner (5 per box) ■ Z58-I-2020 Slide bearing profile inner corner (5 per box)

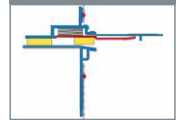
Important information

Storage	Always store profiles laid down in a dry place.
Other applications	Any applications not clearly described in the documents may be implemented only after consultation with the plaster or ETICS manufacturer.
Movement	For relatively big movements, different profiles must be used. The planner concerned should be asked about the movements to be expected.

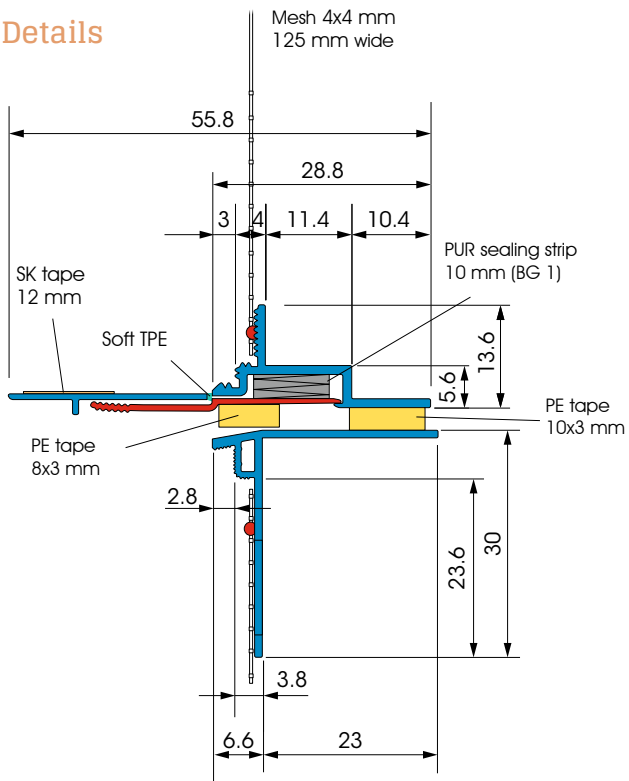
For information on materials, areas of use, tests and correct application, please refer to our 'General Advice and Information'



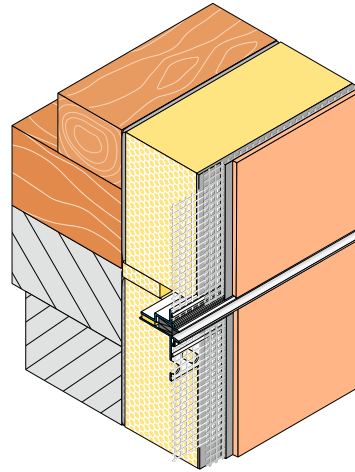
W58



Details



Sectional drawing in mm



Application drawing