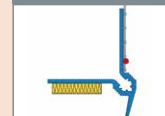




W60 - 0



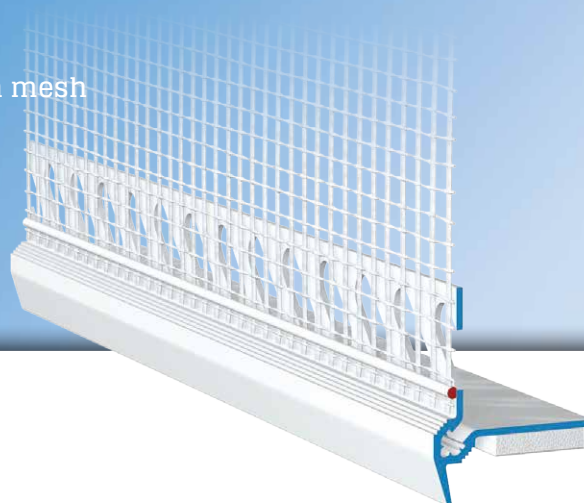
APU®

PROFILES FOR COMPOUND HEAT INSULATION SYSTEMS

Stick-on profile

ZERO

With drip edge and 12.5 cm mesh



The **APU stick-on profile ZERO** is used horizontally in compound heat insulation systems e.g., for plaster joints up against shutter boxes.

The profile contour with visible drip edge provides a reliable solution in respect of downward guidance of water.

The profile has a punched plaster bar. Welded onto the plaster limb is a fabric strip. Each bar has a fabric overhang on one side of 10cm in the lengthways direction. The lower limb is fitted with PE foam tape for sticking the profile to the respective surface. The included plug connectors (Z13) and inner and outer corners (Z18-0) enable the profiles to be joined and fitted very precisely.

What is created after completion of the plastering work is a clean termination of the plaster.



Design

	ITEM NO.	LENGTH	PACKAGING UNIT	WEIGHT (per PU)
--	----------	--------	----------------	-----------------

ZERO stick-on profile

W60-0	W60-0-2100	2.1 m	10 bars = 21 m	3.4 kg
-------	------------	-------	----------------	--------

With drip edge and 12.5 cm mesh

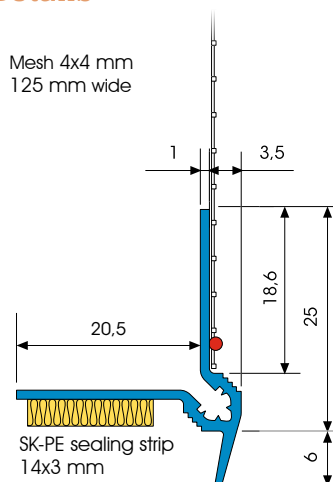
Features

	ZERO STICK-ON PROFILE
Material	<ul style="list-style-type: none"> ■ Rigid PVC manufactured under DIN-16941
Features	<ul style="list-style-type: none"> ■ PE foam tape 14x3 mm
Mesh	<ul style="list-style-type: none"> ■ Min. 160 g/m² approved for compound heat insulation systems ■ 12.5 cm wide – MW 4x4 mm ■ Ultrasonic welded
Accessories	<ul style="list-style-type: none"> ■ Z13-0000 Plug connectors (1 bag) ■ Z18-0-1010i Internal corners (2 pieces) ■ Z18-0-1010a External corners (4 pieces)

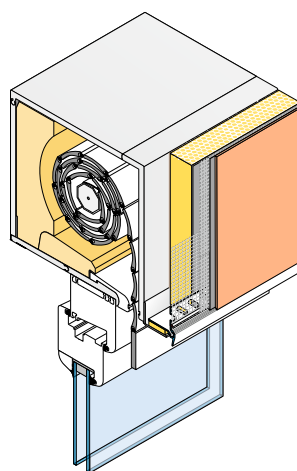
Important information

Storage	Always store profiles laid down in a dry place.
Other applications	Any applications not clearly described in the documents may be implemented only after consultation with the plaster or ETICS manufacturer.

Details



Sectional drawing in mm



Application drawing