



V84

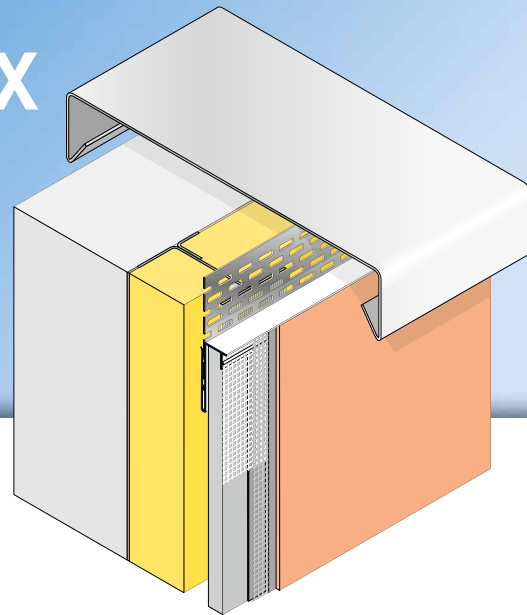


APU®

PROFILES FOR COMPOUND HEAT INSULATION SYSTEMS

Clip-on profile VHF-VENTI-TEX

12 mm,
for back-ventilated rainscreens



For back-ventilated rainscreens the **APU clip-on profile VHF-VENTI-TEX** is installed onto the edge of the supporting board in the area of the roof connection or in the base area.

The profile has a plaster bar. For improved hold, it is pre-tensioned. Welded onto the bar is a fabric strip. The rear bar with support space facilitates the use

of ventilation grilles in order, for example, to protect back-ventilated rainscreens from insects and small creatures. Dependent on gap, this profile can be flexibly inserted into the support space.

What is created after completion of the plastering work is a clean plaster edge.



V84



Fitting

- ① Using appropriate trimming shears with supporting surface, cut profile to the desired size.
- ② Insert the optional ventilation grille into the support space and position at the desired distance.
- ③ Put the profile on the one side on the existing base board and push it towards the other end onto the board.
- ④ Apply reinforcement base plaster over the full area. In doing so, pull the mesh up to the plaster edge and trim.
- ⑤ After leaving to stand for the required time, apply final render.

Important information

- When the work is being done, the surface temperature must be at least +5 degrees and must not exceed +40 degrees.
- After being set in place on the structural element, profiles with a mesh vane must be promptly embedded. Until then they must be protected from the weather, e.g. sun and wind.
- The surface mesh to be subsequently attached must be run up to the skimming edge of the profile.
- The processing guidelines of the plaster manufacturer shall be complied with.