



V86

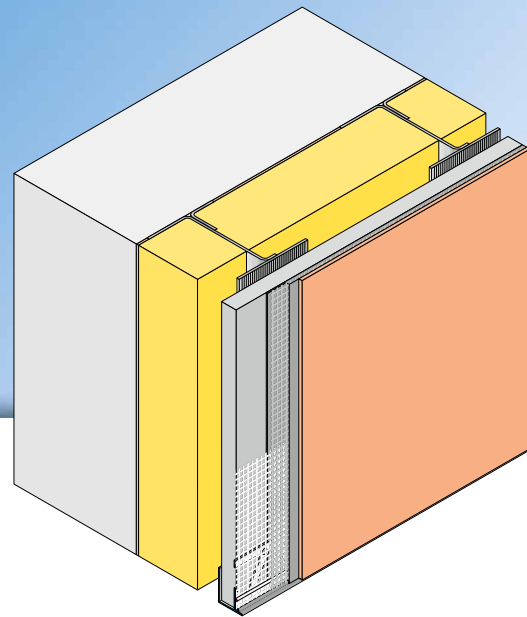


APU®

PROFILES FOR COMPOUND HEAT INSULATION SYSTEMS

Clip-on profile VHF-FIN-TEX

12 mm,
for 7 mm plaster edge



For back-ventilated rainscreens the **APU clip-on profile VHF-FIN-TEX** is used as a termination onto the edge of the supporting board.

The profile has a punched plaster bar. Welded onto the bar is a fabric strip. Each bar has a fabric

overhang on one side of 10cm in the lengthways direction. For improved hold, the rear limb is pre-tensioned.

What is created after completion of the plastering work is a clean termination of the plaster.



V86



Verarbeitung

- ① Using appropriate trimming shears with supporting surface, cut profile to the desired size.
- ② Put the profile on the one side on the existing base board and push it towards the other end onto the board.
- ③ Apply reinforcement base plaster over the full area. In doing so, pull the mesh up to the plaster edge and trim.
- ④ After leaving to stand for the required time, apply final render.

Wichtige Hinweise

- When the work is being done, the surface temperature must be at least +5 degrees and must not exceed +40 degrees.
- After being set in place on the structural element, profiles with a mesh vane must be promptly embedded. Until then they must be protected from the weather, e.g. sun and wind.
- The surface mesh to be subsequently attached must be run up to the skimming edge of the profile.
- The processing guidelines of the plaster manufacturer shall be complied with.